

COMBINATIONS

Gauge



Gauge+switch
(with a terminal strip inside)



Gauge+switch
(with a DIN plug on top)



Gauge+switch
(with a 2 DIN plugs)



DX 10

**P Range : 0 to 0.40 upto 10 bar
0 to 5 upto 150 psi**

Specifications

Accuracy	± 3% of the FSD(Ascending)
Migration	Minor from high to low port
Range	0-0.25 to 0-10 bar/psi dual scale
First marking on the scale	15% of the FSD
Sensing element	Magnetic piston with compression spring
Wetted parts	SS316, SS 302 compression spring, seal, ceramic magnet
Case material	Stainless steel (SS 304)
Dial size in inch (mm)	3.5"(80), 4"(100)
Mounting	Direct, front flange, 2" pipe mounting & surface
Maximum working pressure	100, 250 & 400 bar.
Maximum process temperature	80° C
Body material	Engineering Polymer
Seals	Buna-N, Viton
Window	Float glass(Std.), toughened glass & acrylic
Connection	1/4" BSP(F) Std. optional NPT(F)
Porting	In-line, rear & bottom
Over range protection	Up to the max. working pressure from high & low side
Protection for gauge & switch	IP 65

Options

- Glycerin filling ✓
- Red follower pointer ✓
- Customer logo ✓
- Dual scale ✓
- Colour band ✓
- Strainer in (+) connection ✓
- Reverse port X
- Descending calibration X

Switches (Adj. in 35-100% of FSD)

- 1 or 2 SPSTs with a DIN plug ✓
- 1 or 2 SPSTs with a PG cable gland ✓
- 1 or 2 SPDTs with a PG cable gland ✓
- 1 or 2 SPDTs with a DIN plug ✓

MOUNTING BRACKETS

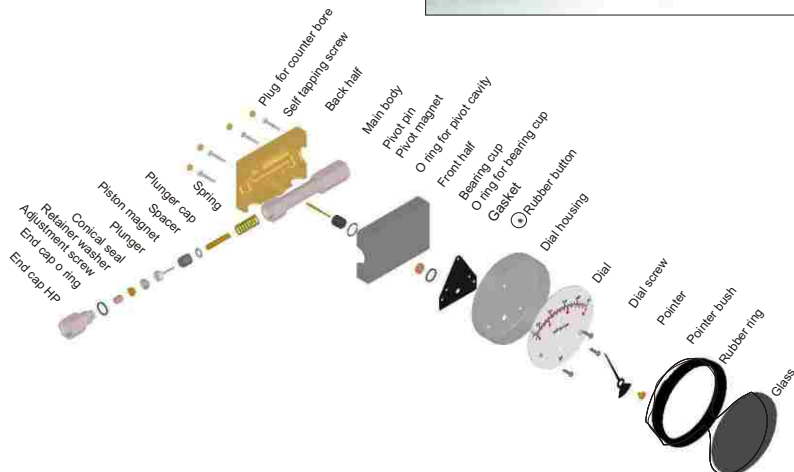
Gauge



Gauge+switch
(with a DIN plug)

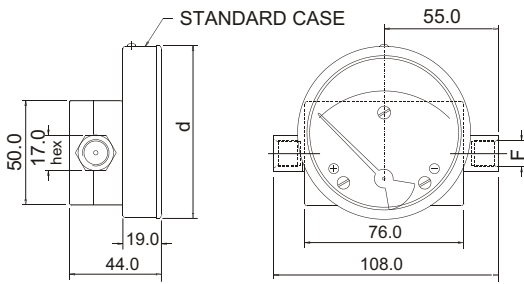


Gauge
(Surface mounting)

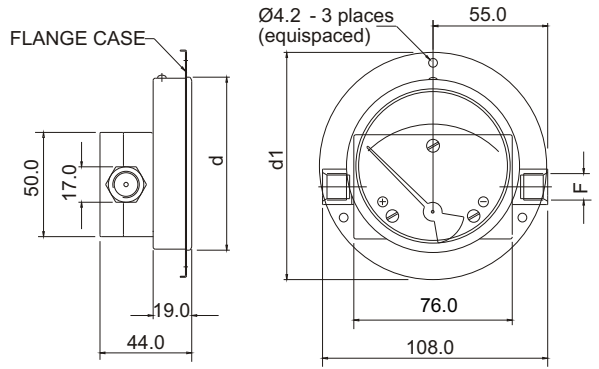


Standard Dimensions (Model DX 10)

SS case with rubber ring (std.)

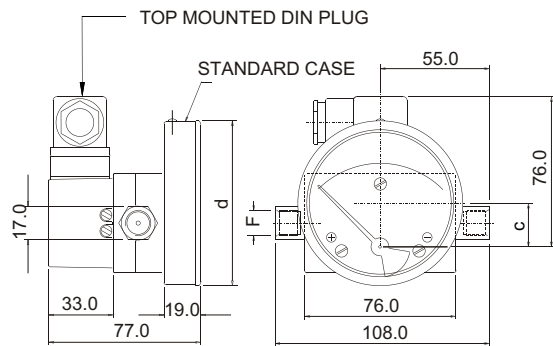


SS case with rubber ring and integral front flange

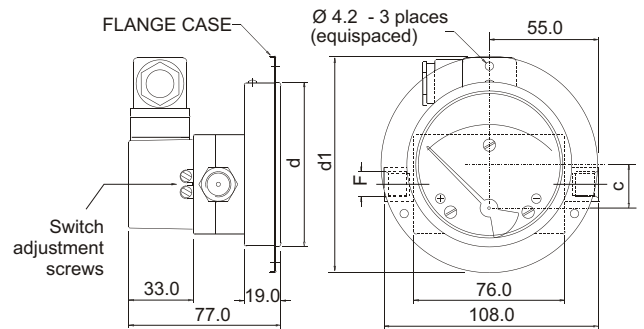


Gauge + Switch

DIN plug at the top with std. case



DIN plug at the top with front flange case



DIAL ø	F	c	d	d1
80 (3.5")	1/4" BSP - 1/4" NPT	24.0	83.0	109
100 (4.0")	1/4" BSP - 1/4" NPT	22.0	104.3	131

NOTE - 1) For gauge with switch having DIN at back, dimension 77.0 will be 119.0 mm
 2) For gauge with switch having DIN at low pressure side, dimension 108.0 will be 125.0 mm

* PANEL CUTOUT = d + 1

Switch specifications :

SPST :

Contact Rating : 10VAAC(rms) or DC(max.)
 Switching current : 0.5 Amp AC(rms) or DC (max.)
 Switch Voltage : 150 V AC (rms) or DC (max.)

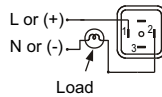
SPDT :

Contact Rating : 5VAAC(rms) or DC(max.)
 Switching current : 0.25 Amp AC(rms) or DC (max.)
 Switch Voltage : 175 V AC (rms) or DC (max.)

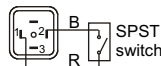
Connection Diagram :

One SPST switch

Reed switches & Din plug connection
 View of socket for supply connections

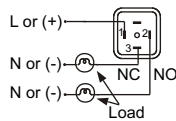


View of plug after removing the socket

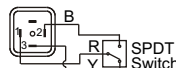


One SPDT switch

Reed switches & Din plug connection
 View of socket for supply connections



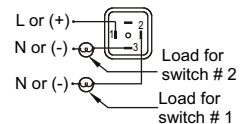
View of plug after removing the socket



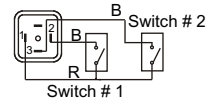
R=Red, B=Black, Y=Yellow, L=Live or +ve supply, N=Nutral or -ve supply

Two SPST switches

Reed switches & Din plug connection
 View of socket for supply connections



View of plug after removing the socket



Two SPDT switches

Note : Similar connection to be done for both DIN plugs

HIRLEKAR PRECISION

Hirlekar Precision Engineering Pvt. Ltd.

67 Industrial T.P. Scheme II,
 Ramtekadi, Pune 411 013, INDIA

Tel. : +91-20-26823648

Fax: +91-20-26871153

E-mail: hirlekar@vsnl.com

www.hirlekarprecision.com