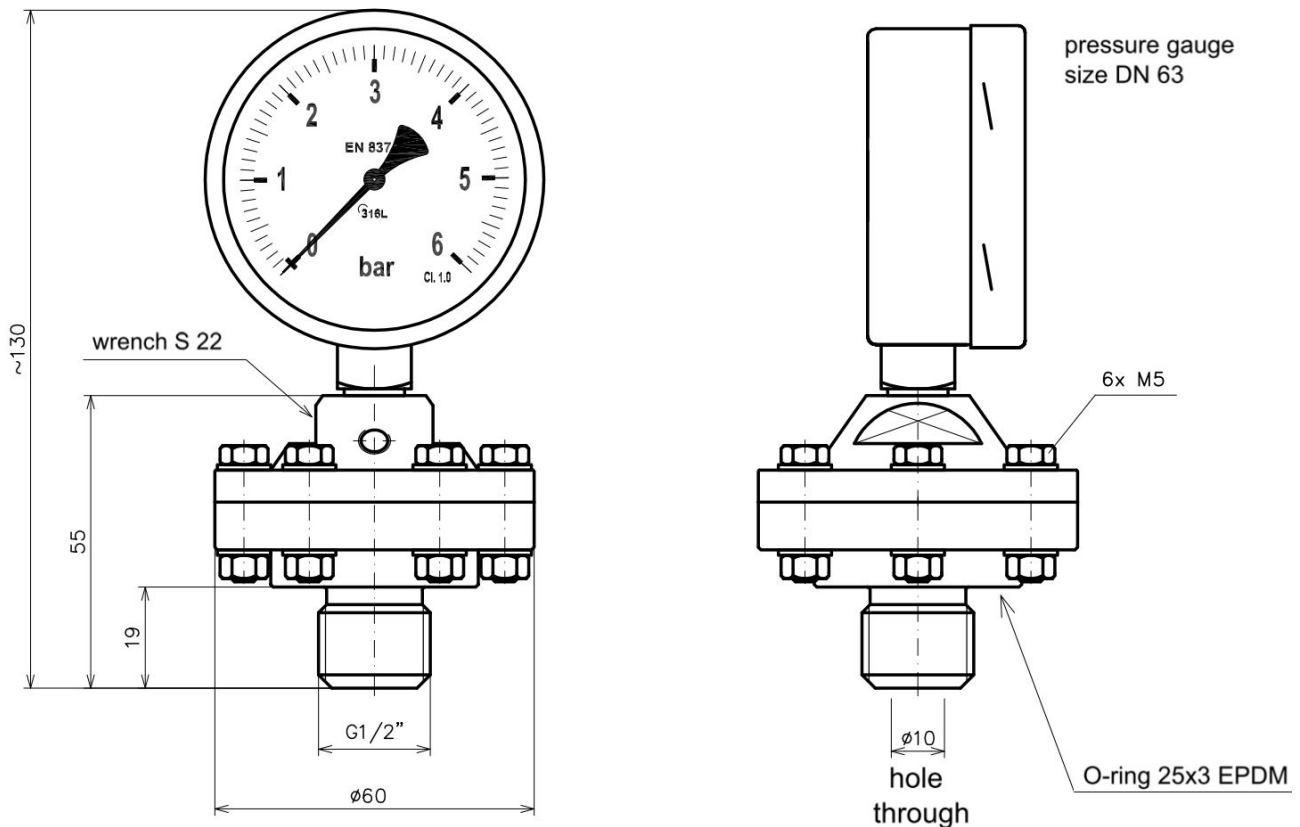


Pressure gauges with screwed type chemical seal model K60



Material of chemical seal	
- upper part	SS 316L
- lower part	PP (polypropylene)
- diaphragm	SS 316L coated with PTFE / Xylan 1088 th.min. 60 µm xx)
- inner O-ring	38x2 EPDM
- outer O-ring	25x3 EPDM
- bolts and nuts	SS 304
Diaphragm effective diameter	36 mm

Recommended types of pressure gauges	SUKU 4531 SUKU 6035
Process connection	G1/2" male
Pressure rating	PN 10
Working temperature	min. 5°C max.. 40°C
Filling liquid	Silicone oil other on request

xx) option:

SS 316L with PTFE foil th.0,25 mm