

Diaphragm chemical seal type P (Flushed diaphragm flange)

The diaphragm chemical seal prevents the measured fluid from entering the device as well as a damping element to protect the gauge from pressure shocks

It can be used with mechanical pressure gauges as well as with pressure transmitters

Material

Diaphragm: SS 316L (1.4435),
Option: SS 316Ti (1.4571), tantal, Hastelloy,
PTFE coating, PTFE foil, Halar (ECTFE), ...

Body: SS 316L (1.4404),
SS 316Ti (1.4571)

Process connection

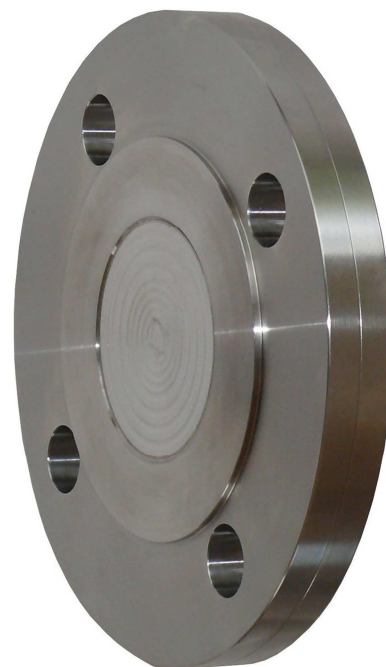
Open flange: EN 1092-1 / B

Option:

EN 1092-1 / A,C, D, E, F

ASME B 16,5 RF

Extended diaphragm

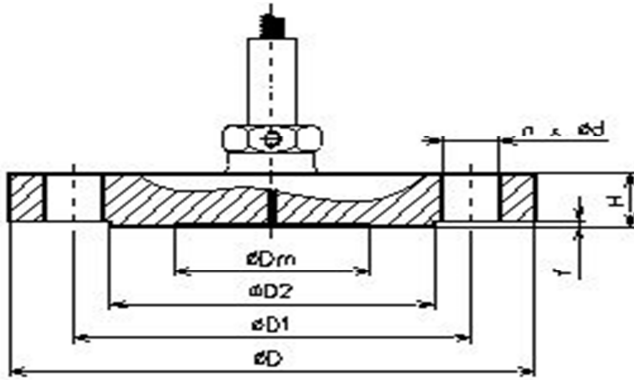


Flange – standard type P25 ... P80

| type | Description |
|------------|--------------------------|
| P25 | DN 25, PN 40 EN 1092-1/B |
| P32 | DN 32, PN 40 EN 1092-1/B |
| P40 | DN 40, PN40 EN 1092-1/B |

| type | Description |
|------------|--------------------------|
| P50 | DN 50, PN 40 EN 1092-1/B |
| P65 | DN 65, PN 40 EN 1092-1/B |
| P80 | DN 80, PN40 EN 1092-1/B |

Dimensions



| EN 1092-1 | | | | | | | | | | ANSI B 16,5 | | | | | | | | | | |
|-----------|--------|-----------------|-----|----|----|-----|---|-----|----|-------------|------|-----|-----------------|------|----|-------|-----|-----|---|---|
| Size | | Dimensions (mm) | | | | | | | | n | Size | | Dimensions (mm) | | | | | | | n |
| DN | PN | Dm | D | H | d | D1 | f | D2 | DN | | PN | Dm | D | H | d | D1 | f | D2 | | |
| | | mem | | | d2 | k | | d4 | | | mem | | | d2 | k | | d4 | | | |
| 25 | 10/40 | 34 | 115 | 16 | 14 | 85 | 2 | 68 | 4 | 3/4 | 150 | 28 | 100 | 22 | 16 | 70 | 2 | 43 | 4 | |
| 32 | 10/40 | 38 | 140 | 16 | 14 | 100 | 2 | 78 | 4 | | 300 | 28 | 120 | 22 | 20 | 82,5 | 2 | 43 | 4 | |
| 40 | 10/40 | 48 | 150 | 18 | 18 | 110 | 3 | 88 | 4 | 1 | 150 | 38 | 110 | 22 | 16 | 79,5 | 2 | 51 | 4 | |
| | 63/100 | 48 | 170 | 26 | 22 | 125 | 3 | 88 | 4 | | 300 | 38 | 125 | 22 | 20 | 89 | 2 | 51 | 4 | |
| | 160 | 48 | 170 | 28 | 22 | 125 | 3 | 88 | 4 | 1 1/2 | 150 | 48 | 130 | 22 | 16 | 98,5 | 2 | 73 | 4 | |
| | 250 | 48 | 185 | 34 | 26 | 135 | 3 | 88 | 4 | | 300 | 48 | 155 | 22 | 22 | 114,5 | 2 | 73 | 4 | |
| 50 | 10/40 | 59 | 165 | 20 | 18 | 125 | 3 | 102 | 4 | | 600 | 48 | 155 | 29,5 | 22 | 114,5 | 7 | 73 | 4 | |
| | 63 | 59 | 180 | 26 | 22 | 135 | 3 | 102 | 4 | | 1500 | 48 | 180 | 39 | 30 | 124 | 7 | 73 | 4 | |
| | 100 | 59 | 195 | 28 | 26 | 145 | 3 | 102 | 4 | | 2500 | 48 | 205 | 51,5 | 33 | 146 | 7 | 73 | 4 | |
| | 160 | 59 | 195 | 30 | 26 | 145 | 3 | 102 | 4 | 2 | 150 | 59 | 150 | 20 | 20 | 120,5 | 1,6 | 92 | 4 | |
| | 250 | 59 | 200 | 38 | 26 | 150 | 3 | 102 | 8 | | 300 | 59 | 165 | 22,5 | 20 | 127 | 1,6 | 92 | 8 | |
| 80 | 10/16 | 89 | 200 | 20 | 18 | 160 | 3 | 138 | 8 | | 600 | 59 | 165 | 32 | 20 | 127 | 6,4 | 92 | 8 | |
| | 25/40 | 89 | 200 | 24 | 18 | 160 | 3 | 138 | 8 | | 1500 | 59 | 215 | 45 | 26 | 165 | 6,4 | 92 | 8 | |
| | 63 | 89 | 215 | 28 | 22 | 170 | 3 | 138 | 8 | | 2500 | 59 | 235 | 57,5 | 30 | 171,5 | 6,4 | 92 | 8 | |
| | 100 | 89 | 230 | 32 | 26 | 180 | 3 | 138 | 8 | 3 | 150 | 89 | 190 | 24 | 20 | 152,5 | 1,6 | 127 | 8 | |
| | 160 | 89 | 230 | 36 | 26 | 180 | 3 | 138 | 8 | | 300 | 89 | 210 | 29 | 22 | 168,5 | 1,6 | 127 | 8 | |
| | 250 | 89 | 255 | 46 | 30 | 200 | 3 | 138 | 8 | | 600 | 89 | 210 | 38,5 | 22 | 168,5 | 6,4 | 127 | 8 | |
| 100 | 10/16 | 89 | 220 | 20 | 18 | 180 | 3 | 158 | 8 | | 900 | 89 | 240 | 45 | 26 | 190,5 | 6,4 | 127 | 8 | |
| | 25/40 | 89 | 235 | 24 | 22 | 190 | 3 | 162 | 8 | | 1500 | 89 | 270 | 54,5 | 33 | 203 | 6,4 | 127 | 8 | |
| | 63 | 89 | 250 | 30 | 26 | 200 | 3 | 162 | 8 | | 2500 | 89 | 305 | 73,5 | 36 | 228,5 | 6,4 | 127 | 8 | |
| | 100 | 89 | 265 | 36 | 30 | 210 | 3 | 162 | 8 | 4 | 150 | 109 | 228,6 | 23,9 | 20 | 190,5 | 1,6 | 157 | 8 | |
| | 160 | 89 | 265 | 40 | 30 | 210 | 3 | 162 | 8 | | | | | | | | | | | |
| | 250 | 89 | 300 | 54 | 33 | 235 | 3 | 162 | 8 | | | | | | | | | | | |