

MSD4 - Manometer DN 63 with seal DIN 11851

Simplified catalogue sheet for a complete set of deformation stainless steel manometer DN 100 with DIN 11851 seal, for the most common ranges.

Manometer

- all stainless steel, DN 63, instrumental glass
- bottom (type 6035) or back-side (type 6036) connection
- glycerine filling (option)

Chemical seal according DIN 11851 with union nut

Type M25 - DN 25 (PN 40)

Type M32 - DN 32 (PN 40)

Type M40 - DN 40 (PN 40)

- diaphragm material: stainless steel AISI 316L (1.4435)
- body material: stainless steel AISI 316L (1.4404)
- surface roughness of wetted parts max. Ra 0,6

Filling liquid

- Neobee (FDA approved)
- glycerine (FDA approved)
- silicone oil
- almond oil

Temperature conditions:

- medium: -20 ... +100 °C
- ambient: -20 ... +60 °C

Customer options:

Chemical seals can be assembled with various gauges or with other ranges only by agreement and after technical verification. Dial with another scale unit is possible by agreement as well (kPa, MPa, PSI, ...).

Another temperature conditions must be consulted!

Additional information:

Complete information of DIN 11851 connections is given in the seal data sheet.

More detailed information of the manometer - see the catalogue sheet of all-stainless steel manometers.



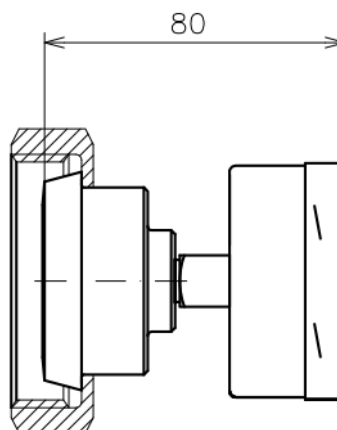
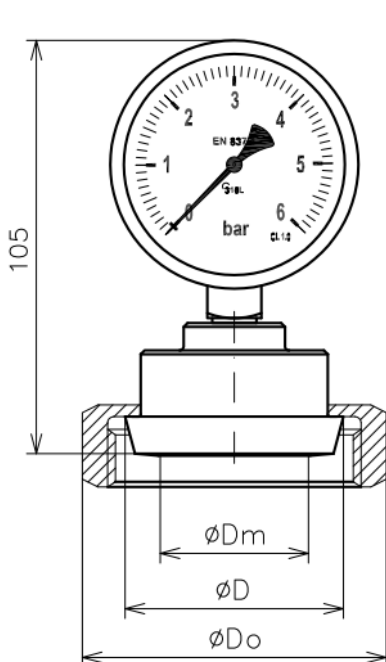
Ordering code:

MSD4 -	M			-								
type M25 (DN25)		2	5									
type M32 (DN32)		3	2									
type M40 (DN40)		4	0									
Manometer with bottom connection					3	5						
Manometer with back-side connection					3	6						
Manometer with glycerine filling											G	
Manometer without filling											N	
Pressure range:	0 ... 1 bar	0	1		
	0 ... 1,6 bar	0	2		
	0 ... 2,5 bar	0	3		
	0 ... 4 bar	0	4		
	0 ... 6 bar	0	6		
	0 ... 10 bar	1	0		
	0 ... 16 bar	1	6		
	0 ... 25 bar	2	5		
	-1 ... 0 bar	P	0		
	-1 ... +0,6 bar	P	1		
	-1 ... +1,5 bar	P	2		
	-1 ... +3 bar	P	3		
	-1 ... +5 bar	P	5		
	-1 ... +9 bar	P	9		
Filling liquid:	silicone oil											S
	almond oil											M
	neobee											N
	glycerine											G

Recommended minimum pressure range of the manometer:

Seal Type	Min range
M25	1 bar
M32	1 bar
M40	1 bar

Dimensions:



	M25	M32	M40
$\varnothing D$ [mm]	44	50	56
$\varnothing D_o$ [mm]	63	70	78
$\varnothing D_m$ [mm]	34	34	38