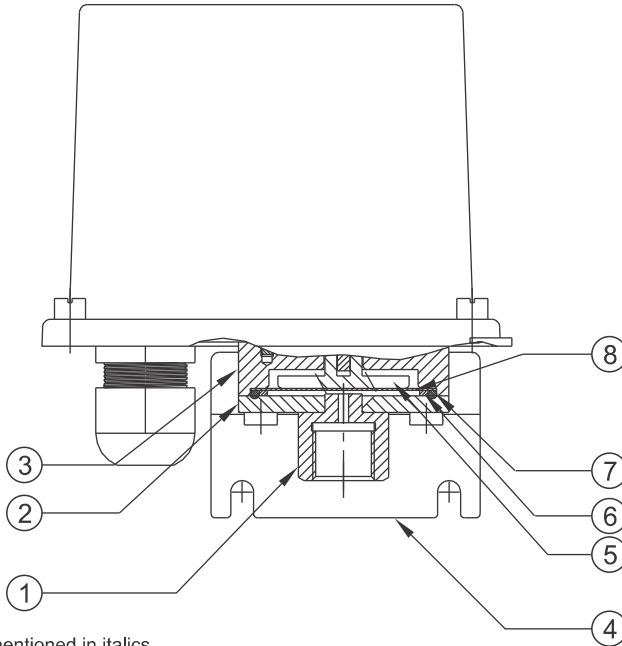


MZ / MX OEM HIGH RANGE PRESSURE SWITCHES



PRESSURE CAPSULE DETAILS

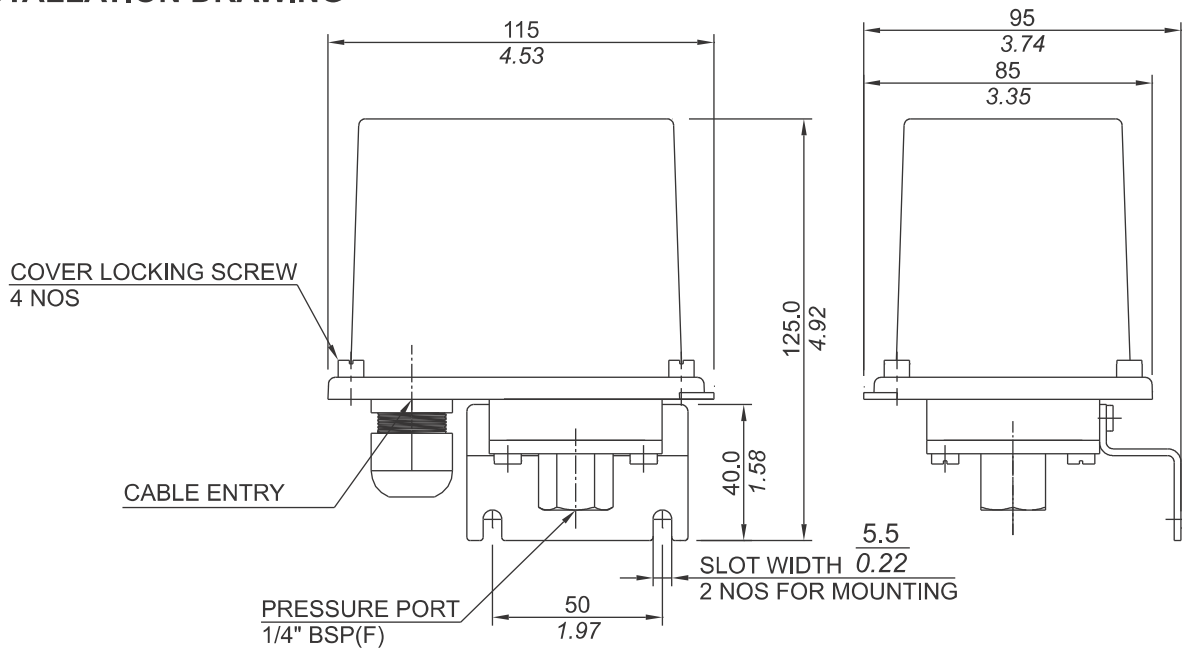


No. Description

1. *Pressure Port (SS316)*
2. *Housing Plate (SS316)*
3. Disc
4. Mounting Bracket
5. Plunger
6. *Ring (SS316)*
7. *O-Ring (Teflon®)*
8. *Diaphragm (Teflon®)*

Note : *wetted parts* are mentioned in italics.

INSTALLATION DRAWING



APPROX. DIMENSIONS IN $\frac{\text{mm}}{\text{inches}}$

OEM HIGH RANGE PRESSURE SWITCHES MZ / MX

Range Selection Table

Model Code	† Range bar (psi)	*Approximate Maximum Differential bar (psi)	* Adjustable Differential bar (psi)	Maximum Working Pressure bar (psi)
MZ-1	0.1 - 1.0 (1.45 - 14.50)	0.15 (2.18)	-	12 (174.05)
MZ-4	0.2 - 3.6 (2.90 - 52.21)	0.15 (2.18)	-	12 (174.05)
MZ-7	0.5 - 7.0 (7.25 - 101.52)	0.15 (2.18)	-	12 (174.05)
MZ-10	0.5 - 10.0 (7.25 - 145.04)	0.8 (11.60)	-	25 (362.6)
MZ-15	1.0 - 15.0 (14.50 - 217.71)	1.5 (21.76)	-	25 (362.6)
MZ-30	5.0 - 25.0 (72.52 - 362.6)	1.5 (21.76)	-	35 (507.63)
MX-7	0.5 - 7.0 (7.25 - 101.52)	-	0.8 - 2.0 (11.60 - 29.00)	12 (174.05)
MX-10	0.5 - 10.0 (7.25 - 145.04)	-	0.8 - 2.0 (11.60 - 29.00)	25 (362.6)
MX-15	1.0 - 15.0 (14.50 - 217.71)	-	1.0 - 2.0 (14.50 - 29.00)	25 (362.6)
MX-30	5.0 - 25.0 (72.52 - 362.6)	-	1.5 - 2.5 (21.76 - 36.26)	35 (507.63)

*Minimum differential increases with setpoint (Graphs available on request)

†Rising pressure for MZ series

†Falling pressure for MX series

SPECIFICATIONS :

Range	: As per model code
Electrical rating	: 15 Amp, 250 VAC, SPDT snapaction microswitch
Enclosure[#]	: IP66 standard, transparent tough polycarbonate cover
Wetted parts	: SS 316 & Teflon
Pressure port	: 1/4" BSPF standard
Cable gland	: M20 x 1.5 standard (polyamide)
Maximum temperature of working medium	: 80° C maximum. Please use impulse tubing for higher temperatures

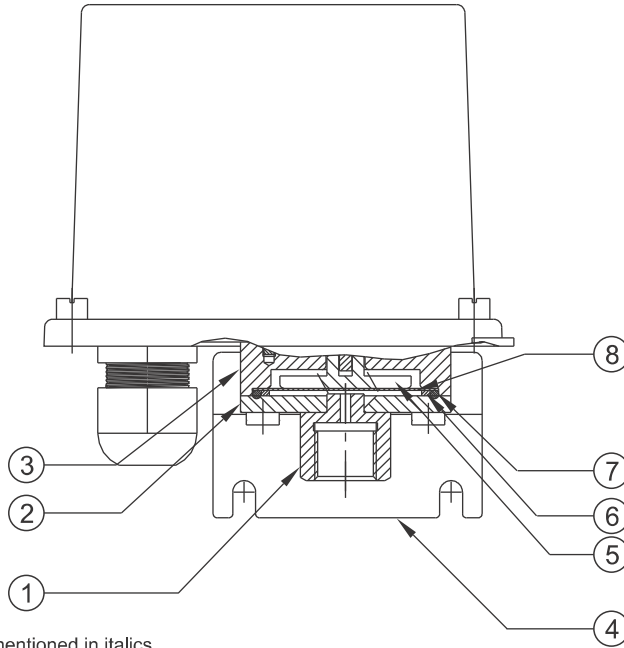
- IP66 is approximately equivalent to NEMA 4X

HOW TO ORDER MZ/MX SERIES OEM PRESSURE SWITCHES

Please select model code from Range Selection table



PRESSURE CAPSULE DETAILS

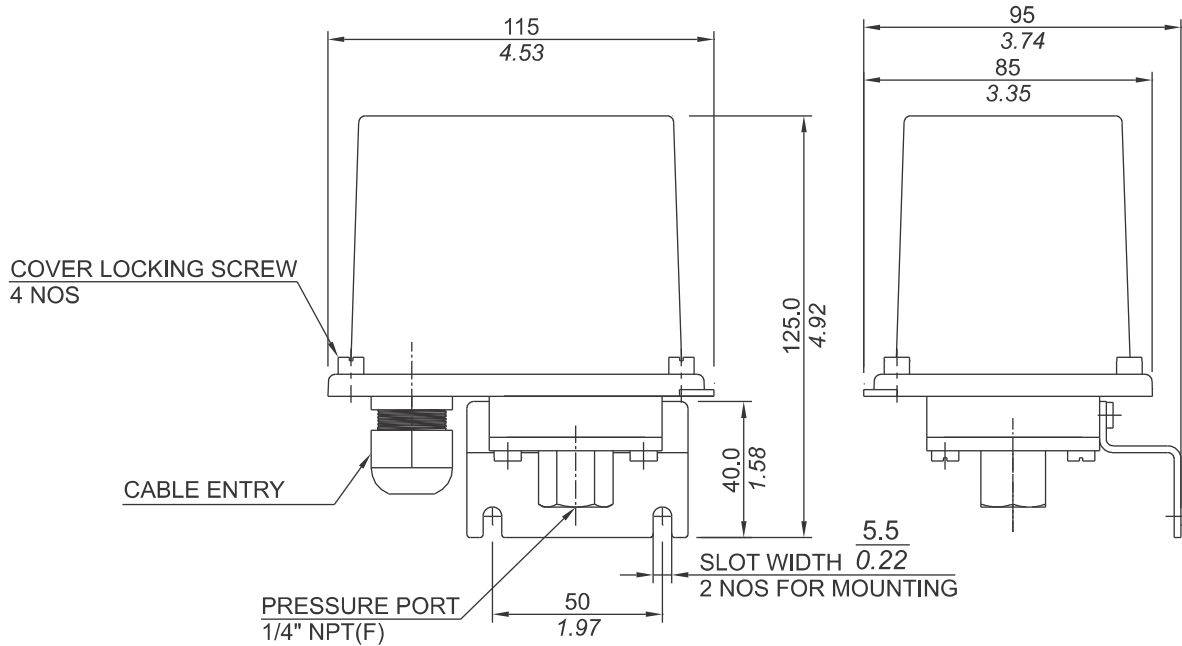


No. Description

1. *Pressure Port (SS316)*
2. *Housing Plate (SS316)*
3. *Disc*
4. *Mounting Bracket*
5. *Plunger*
6. *Ring (SS316)*
7. *O-Ring (Teflon®)*
8. *Diaphragm (Teflon®)*

Note : *wetted parts* are mentioned in italics.

INSTALLATION DRAWING



APPROX. DIMENSIONS IN $\frac{\text{mm}}{\text{inches}}$

RANGE SELECTION TABLE

Model Code	Range † psi	*Approximate Maximum Differential psi	Maximum Working Pressure psi
MZ-1A	1.5-15.0	2.0	200
MZ-4A	3.0-50.0	3.0	200
MZ-7A	7.0-100.0	6.0	200
MZ-10A	7.0-150.0	12.0	350
MZ-15A	15.0-200.0	20.0	350
MZ-30A	70.0-350.0	20.0	500

*Minimum differential increases with setpoint (Graphs available on request)

†Rising pressure for MZ series

SPECIFICATIONS :

Range	: As per model code
Electrical rating	: 15 Amp, 250 VAC, SPDT snapaction microswitch
Enclosure[#]	: IP66 standard, transparent tough polycarbonate cover
Wetted parts	: SS 316 & Teflon
Pressure port	: 1/4" NPTF standard
Cable gland	: M20 x 1.5 standard (polyamide)
Maximum temperature of working medium	: 80° C maximum. Please use impulse tubing for higher temperatures

- IP66 is approximately equivalent to NEMA 4X

HOW TO ORDER MZ__A SERIES OEM PRESSURE SWITCHES

Please select model code from Range Selection table