

PRESSURE TRANSDUCERS BHV 5355

Manual

Transducers BHV 5355 are built for gage, underpressure and differential pressure measurement of gases and liquids which have no deleterious effects to corrosion-proof steel ISO 683/13-74 type 8 (DIN 17440-85 X8Cr17) and cooper.

These transducers are suitable especially for measurement of small pressure differences in air technology instrumentation, environmental devices, and heating and air-conditioning technologies. They are used, for example, for volume flow measurements by means of speed probes, for chimney flues, determination and indication of operational conditions in exhaust and filtration systems. Utilisation of the product lies mainly in industry automation systems and laboratory measuring

Storage conditions: please keep from impurities. Temperature: -25 .. +80°C.

Mounting:

Vertical mounting position is recommended (pressure connection bottom).

Type B - M12x1,5 DIN 2353 D6

Put a tube in a screw connection pressure socket as deep as possible. Screw the nut on the socket – and – it is very important – use two spanners – the first for the nut and the second for the socket. Do not screw the nut without the second spanner – you must eliminate the socket turn round (the socket is also screwed in pressure sensor inside a case).

It is also recommended to use the 5-way valve.

Electrical connection:

Use a cable 7 mm suitable for DIN 43650 (IP65).

Do not plug when there is a power supply on.

Starting:

When the power supply is on the transducer is operating. After 15 min is the transducer stabilised.

Zero adjustment:

If it is necessary you could adjust the zero-output signal. Remove a front cover and turn the screw at “zero-adjustment”. Check the output. (blue potentiometer – the left one, without red mark)

Range adjustment:

It is not recommended because without new calibration you lose the accuracy.

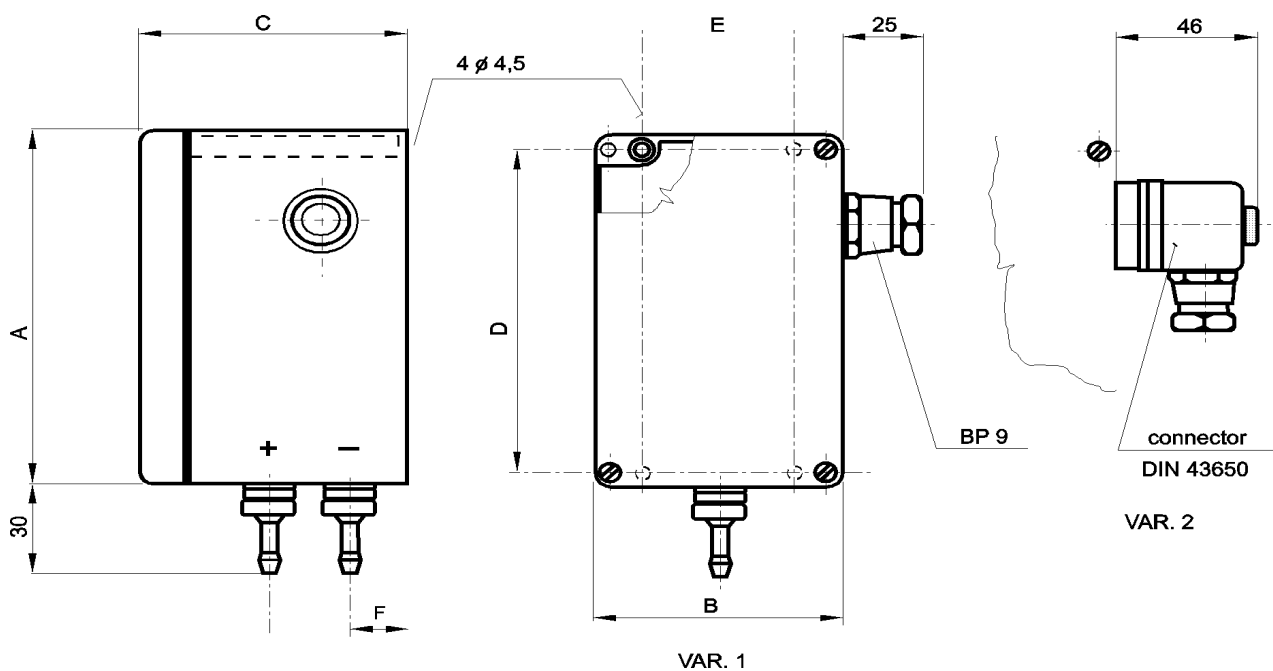
If it is required you could adjust it. Remove a front cover and turn the screw at “range-adjustment”. Check the output. (blue potentiometer – the right one, with red mark).

Operating:

The transducer does not need any maintainance.

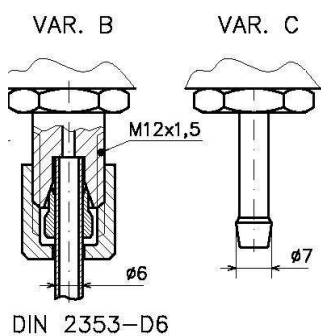
Warranty:

24 months

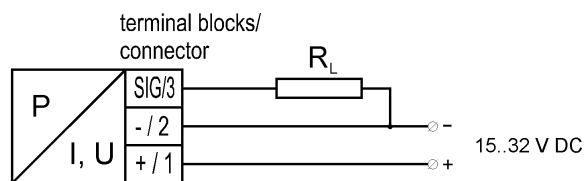


Mater. / Entry	A	B	C	D	E	F
ABS	120	80	85	108	50	25
Al	100	100	81	66	85	22

Picture 1 - Outside dimensions of the transducer BHV 5355



Picture 2 - Detail of process connection



Picture 3 - Wiring diagram