

Chemical seal type K - model K96.2 screwed, flange with closed diaphragm

The chemical seals protect the pressure gauge from the intrusion of the measuring medium. It is used when measuring the pressure of solidifying or crystallising substances.

The advantage of the **K-type** separator is its ease of disassembly and cleaning, as well as the easy replacement of the sealing.

Material:

- Body: stainless steel SS 316L (1.4404)
- Diaphragm: stainless steel SS 316L (1.4435)
- Sealing: NBR (Viton, PTFE, ..)

Pressure rating: PN 100

Working temperature

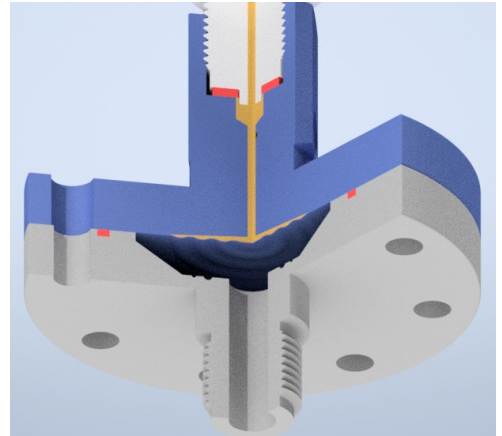
- Medium: -20 ... +100°C
- Ambient: -20 ...+80°C
-

Process connection (Z thread):

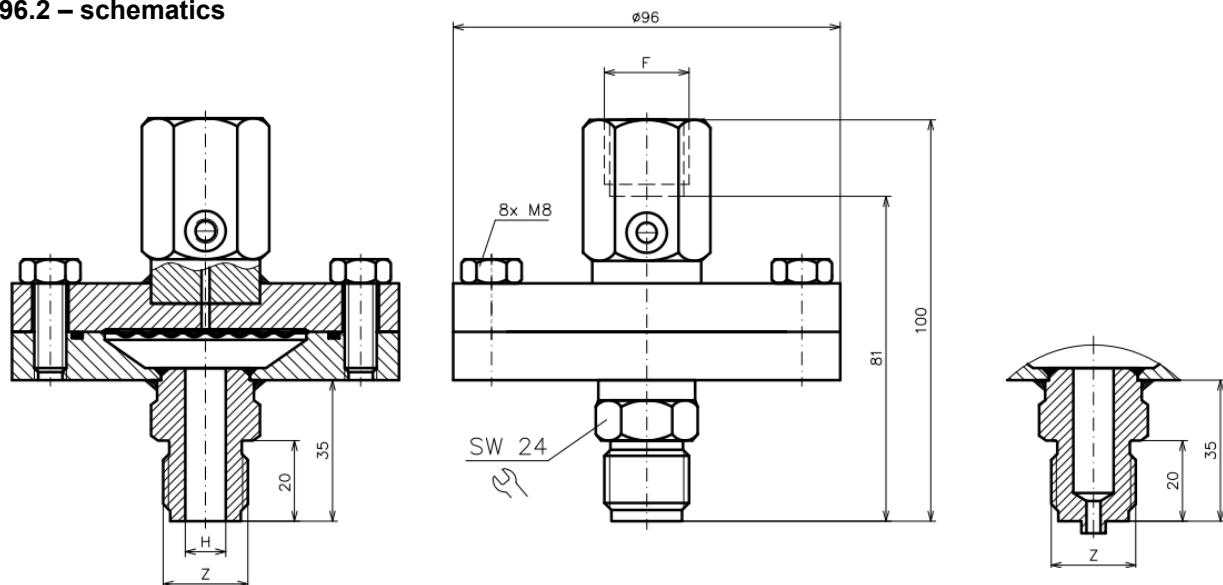
- external thread G1/2" with 8 mm through hole (H), possibly M20x1.5
- external thread G1/2" according to EN 837 (gauge end), possibly M20x1.5

Connection method for pressure gauge or chemical seal (thread F):

- Direct connection, threaded G1/2" (possibly M20x1.5, G1/4")



K96.2 – schematics



External thread with through hole

External thread to EN 837