

## Chemical seal type K - model K96.4 screwed, flange with closed diaphragm and PTFE insert

The chemical seals protect the pressure gauge from the intrusion of the measuring medium. It is used when measuring the pressure of solidifying or crystallising substances.

The advantage of the **K-type** separator is its ease of disassembly and cleaning, as well as the easy replacement of the sealing.

The model K96.4 is with PTFE insert and thus reliable chemical resistance can be ensured, as well as different diaphragm materials can be selected.

### Material

- Body stainless steel SS 316L (1.4404)
- Diaphragm tantalum, Hastelloy, nikl, titan, stainless steel + PTFE foil, PTFE coating (Xylan 1088), ...

Insert: PTFE

Connection piece: stainless steel SS 316L

Wetted material: Diaphragm + PTFE

**Pressure rating** PN 25

### Working temperature

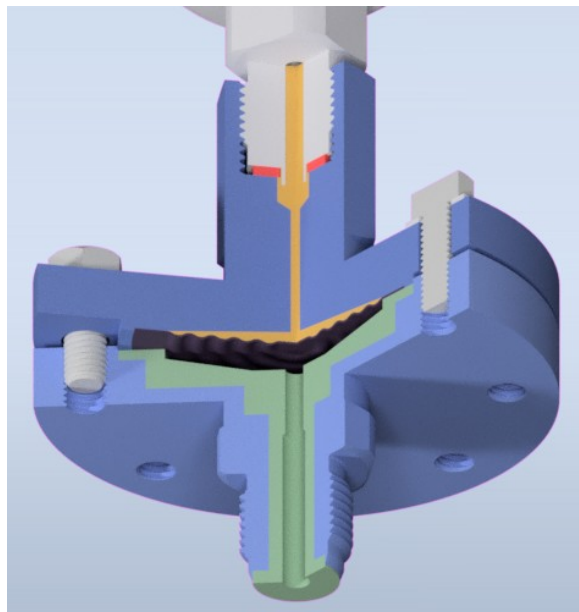
- Medium: -20 ... +100°C
- Ambient: -20 ... +80°C

### Process connection (Z thread)

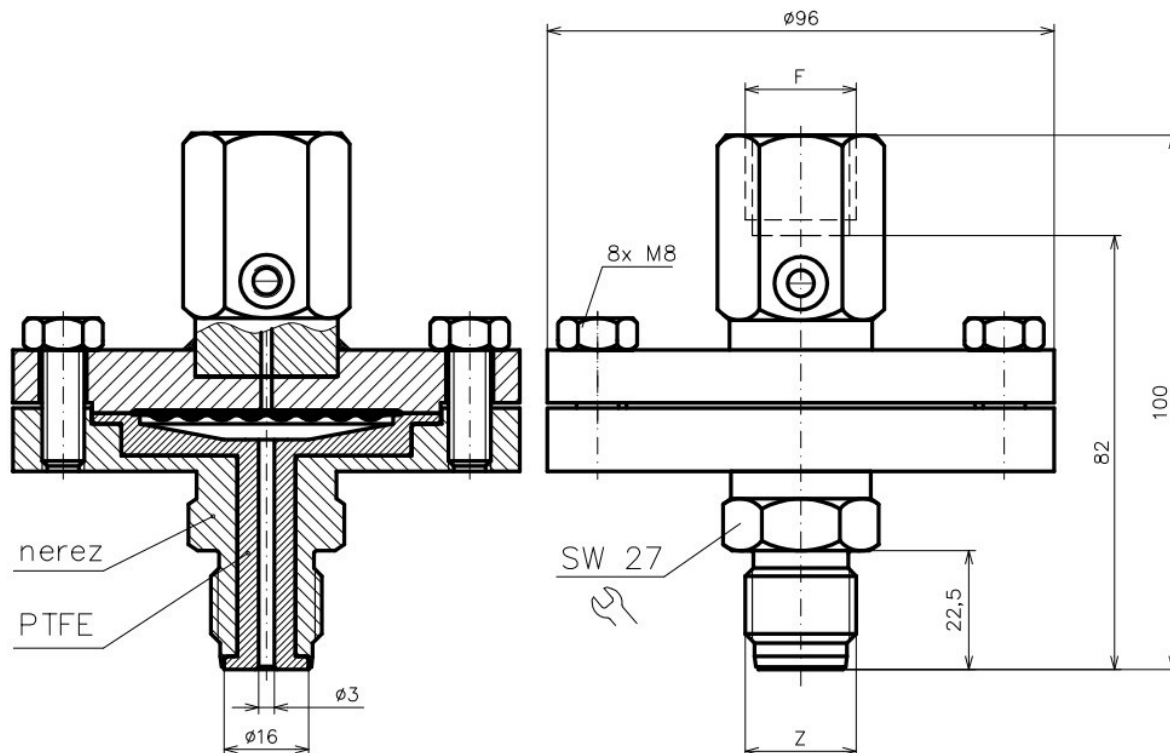
- external thread G1/2" or M20x1.5, through hole 3 mm

### Connection method for pressure gauge or chemical seal (thread F)

- Direct connection, threaded G1/2" (or M20x1.5, G1/4")



### K96.4 - scheme



rev. 2023-12