

## Chemical seal type L80 plastic, screwed

Chemical seals protect the pressure gauge from the intrusion of the measuring medium. Plastic separators are used when measuring the pressure of aggressive media - e.g. acids and alkalis.

### Material

- Diaphragm: EPDM with PTFE coating,  
on request EPDM with PFA
- Upper part: PP
- Lower part: PVC-U, PP, PVDF

### Working temperature:

- PVC-U: 0 ... +60°C
- PP: 10 ... +80°C
- PVDF: -30 ... +120°C
- PN 10 (20°C)  
(details in graph on the next page)

### Dimensions of chemical seal

- Diameter: 80 mm, height: 86 mm

### Process connection:

- G1/2" female thread and cylindrical shank (d)
- for fusion or diffusion welding ("gluing")
- other threads or other connections on request internal G1/4", internal 1/4" NPT, internal 1/2" NPT

### Connection method of pressure transmitter or manometer:

- direct connection - internal thread G1/2" or G1/4"

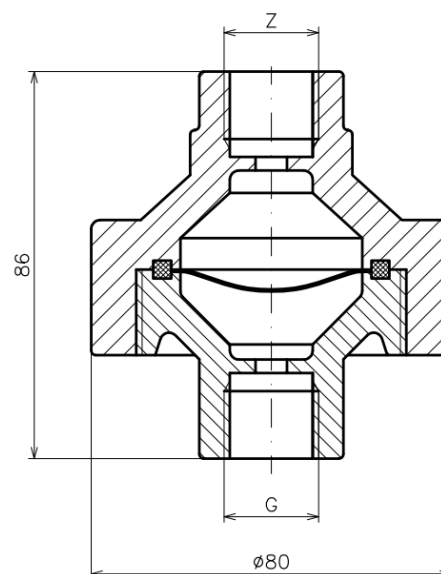
### Basic types of design - type L80

Identificat on MDM-902	Thread for pressure gauge (Z)	Material of the lower part	Process connection: internal thread (G)	Process connection: diameter for welding d (mm)
L80-983	G1/2"	PVC-U	G1/2"	32
L80-971	G1/4"	PVC-U	G1/2"	32
L80-970	G1/4"	PVC-U	G1/4"	25
L80-987	G1/2"	PP	G1/2"	32
L80-975 *	G1/4"	PP	G1/2"	25
L80-974 *	G1/4"	PP	G1/4"	25
L80-991	G1/2"	PVDF	G1/2"	32
L80-979 *	G1/4"	PVDF	G1/2"	32
L80-978 *	G1/4"	PVDF	G1/4"	25

Models with \* are on request.



L80 - schematics



### Limitation of applicability of the chemical seal

P (bar) .... Pressure of medium

T (°C) .... Temperature

