

Chemical seal type M

Food fitting according to DIN 11851 - external fitting

Chemical seals are used to prevent the measured medium from entering the measuring unit of the pressure gauge. It is used when measuring the pressure of solidifying or crystallising substances, hot liquids or where it is necessary to ensure that the system can be completely cleaned of product residues.

Chemical seals **type M** according to DIN 11851 are particularly suitable for the food and pharmaceutical industries. They are sanitizable and therefore suitable for CIP, SIP.

They comply with EC 1935/2004 and EC 2023/2006 on hygiene requirements for products in direct contact with food.

Material

- Diaphragm: stainless steel SS 316L / 1.4435
- Body: stainless steel SS 316L / 1.4404
- Wetted surfaces are polished to a max. roughness of Ra 0.6

Working temperature

- Medium: -20 ... +100°C
- Ambient: -20 ... +60°C
- short-term sanitation up to 130°C
- (other conditions on request)



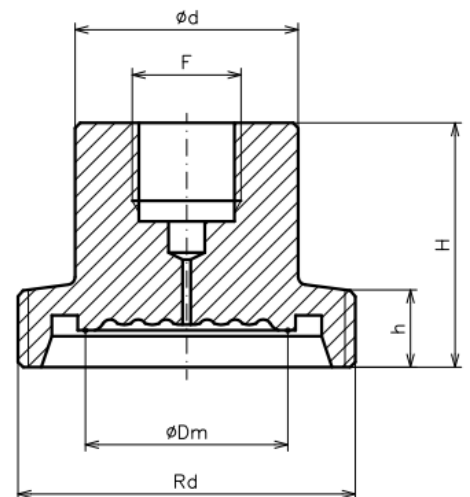
Basic types of DIN 11851 chemical seals

BHV	PN	F	Ø Dm	Ø d*	H	h	Rd
type	[bar]		[mm]				
M25-M	40	G 1/4"	28	31,5	46	14	52 x 1/6
		G 1/2"	28	31,5	54	14	52 x 1/6
M32-M	40	G 1/4"	34	41	46	14	58 x 1/6
		G 1/2"	34	41	54	14	58 x 1/6
M40-M	40	G 1/4"	38	41	46	14	65 x 1/6
		G 1/2"	38	41	54	14	65 x 1/6
M50-M	25	G 1/2"	48	41	55	15	78 x 1/6

*Note: in the economical version, the chemical seal is made as a weldment, the Ød diameter is replaced by a hexagon OK 27.

Minimum recommended pressure gauge range

Type of chemical seal	Nominal gauge size	
	DN 63	DN100
M25-M	4 bar	16 bar
M32-M	1,6 bar	4 bar
M40-M	1,0 bar	2,5 bar
M50-M	0,6 bar	1,0 bar



Assembly with measuring instrument

The most common assembly of the chemical seal is with a manometer or transmitter by direct connection (F thread), it can also be adapted for a variant with an extended neck or cooler or capillary line.